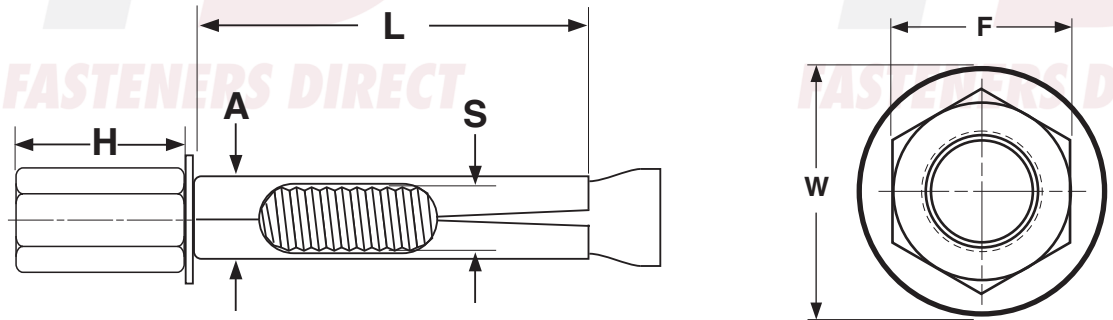


**SLEEVE** **Rod Hanger**



SLEEVE ANCHORS, ROD HANGER								FF-S-325, Group II, Type 3, Class 3	
A x L	H	F	W	Drill Diameter	Minimum Embedment	S	Required Torque to Set (Ft. Lbs.)	Tensile Strength (psi.)	Shear Strength (psi.)
Anchor Diam x Length	Coupling Nut Height	Wrenching Size	Washer O.D.			Thread Size of Stud			
	Ref	Ref	Ref				Carbon Steel	4000 psi. Concrete Strength	
3/8 x 1 7/8	1	1/2	13/16	3/8	1 5/8	5/16-18	16	2700	3250
1/2 x 2 1/4	1 1/4	11/16	1	1/2	2 1/4	3/8-16	28	5015	6372

<b>Description</b>	A device for giving stability to one part of a structure by making it fasten to another. It consists of (A) a threaded stud with a conical end flared outward; (B) a hollow, cylindrical dilating sleeve assembled over the stud and positioned against the minor diameter of the cone; (C) a washer and hex coupling nut assembled at the end opposite the cone.
<b>Applications/ Advantages</b>	The anchor works by expanding against the material in which it is embedded. When the hex nut is tightened, the conical end is pulled into the dilating sleeve pushing it outward 360° around the anchor into the masonry. They are used to attach threaded rod to cinder block, marble, concrete or thin wall. One advantage of the sleeve anchor is that it can be removed after it's been installed. Another is that the length of the sleeve induces less stress on the substrate than does a wedge anchor.
<b>Material</b>	<i>Threaded Bolt:</i> AISI 1010 - 1018 cold rolled steel <i>Sleeve:</i> AISI 1008 cold rolled steel <i>Rod Coupling:</i> AISI 12L14 or equivalent steel <i>Washer:</i> AISI 1008 - 1010 cold rolled steel
<b>Anchor Spacing</b>	Anchor should be installed with a minimum of 10 anchor diameters between each other and a minimum of 5 diameters from the edge.
<b>Tensile Strength</b>	The suggested safe working load is one-fourth of the average proof test load shown in the above table.
<b>Shear Strength</b>	The suggested safe working load is one-fourth of the average proof test load shown in the above table.
<b>Plating</b>	Steel sleeve anchors are usually supplied plated zinc.